

Sony 777 Tweak

An All 6 DAC
TX Output

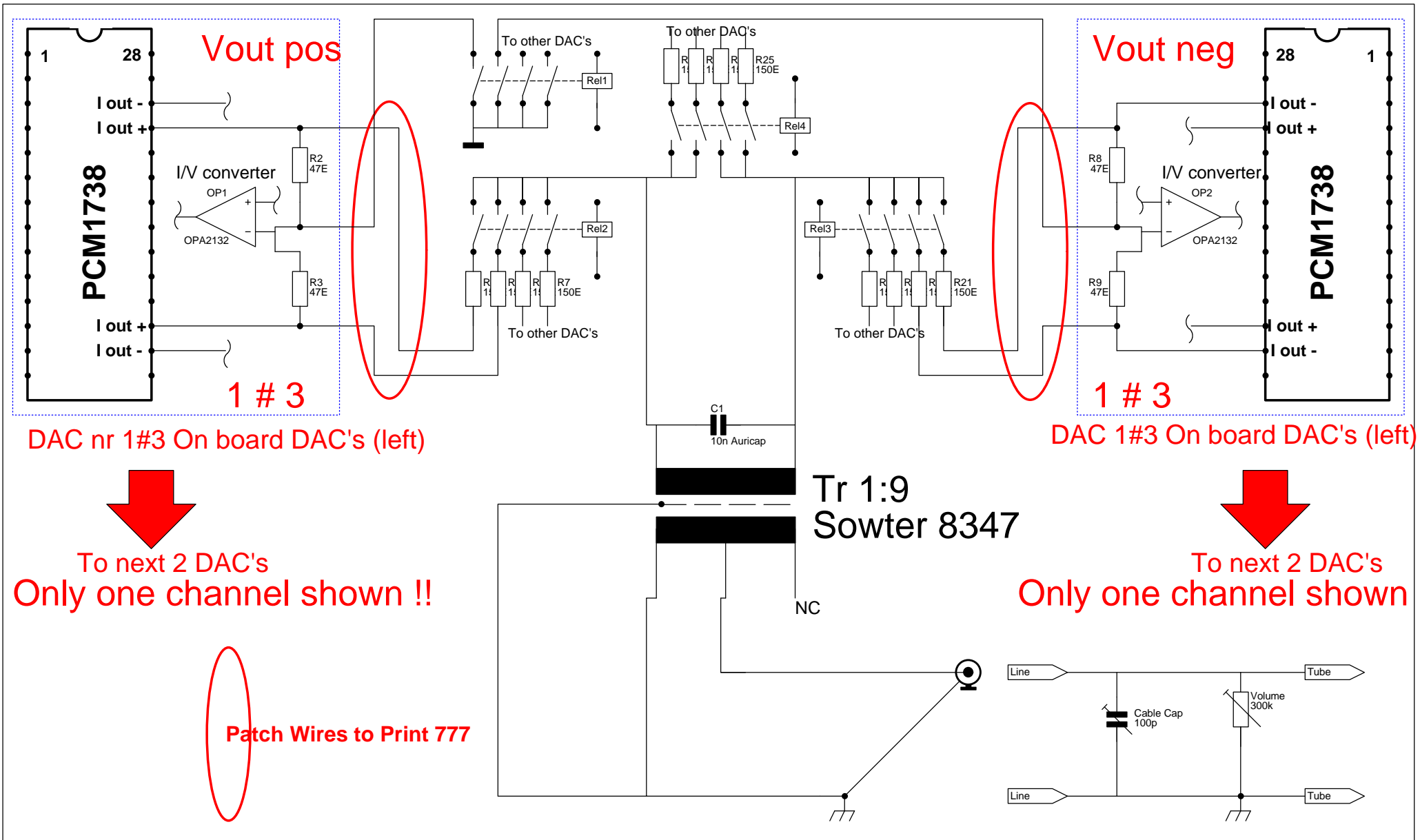
With no OPAMP's !

By Doede Douma

Final Built Version 2.3

Updated December 5th, 2002

www.dddac.de



DAC nr 1#3 On board DAC's (left)

DAC 1#3 On board DAC's (left)

To next 2 DAC's
Only one channel shown !!

To next 2 DAC's
Only one channel shown !!

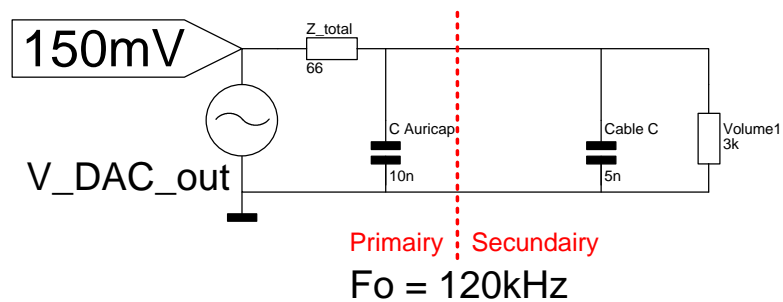
Patch Wires to Print 777

Sony DAC Output mk2

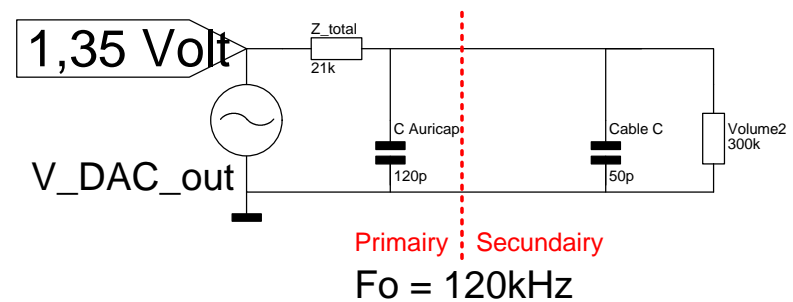
Update: 05-12-2002		Author: Doede Douma	
Revision: 2.3	Built: YES	Design ready: YES	Page: 1 # 4

Impedance Transformations

Transformation to Primary



Transformation to Secondary



Sony DAC Output Imp. Tx

Update: 05-12-2002

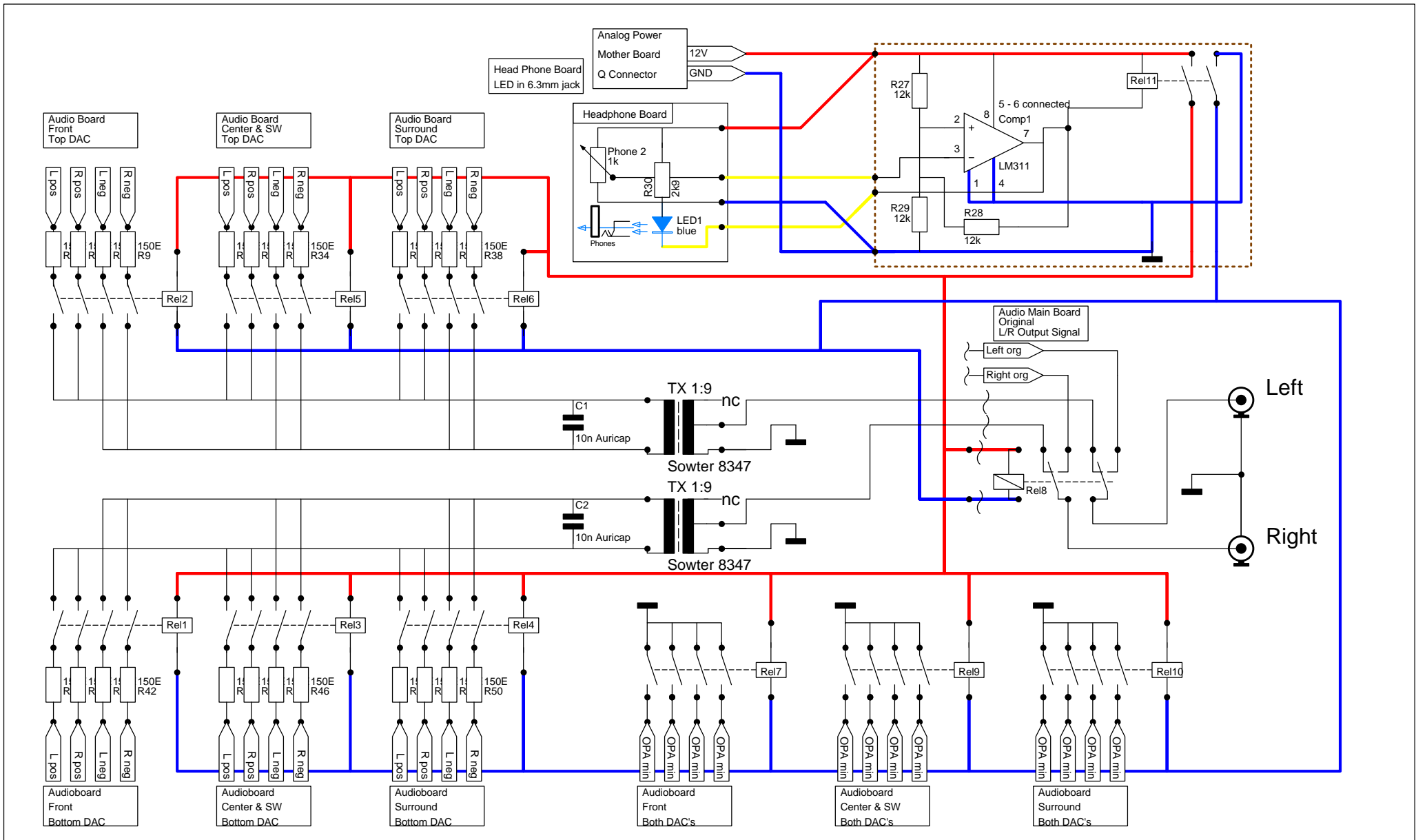
Author: Doede Douma

Revision: 2.3

Built:
YES

Design ready:
YES

Page: 2 # 4



Sony DAC Circuit connections

Update: 05-12-2002

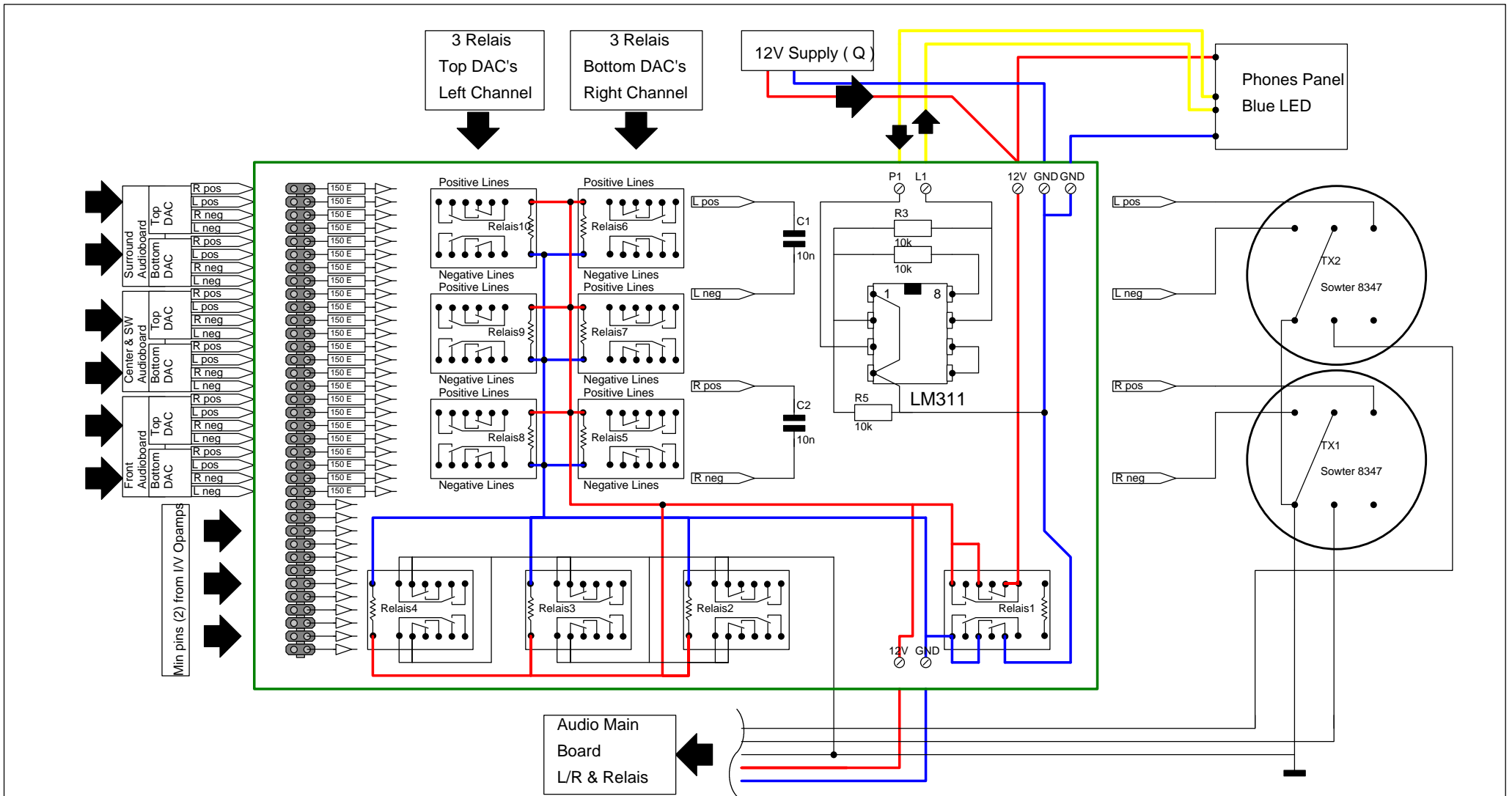
Author: Doede Douma

Revision: 2.3

Built:
YES

Design ready:
YES

Page: 3 # 4



PCB(Component) VIEW !!!

Sony DAC Output mk2 / PCB

Update: 05-12-2002

Author: Doede Douma

Revision: 2.3

Built:
YES

Design ready:
YES

Page: 4 # 4