

**Notes:**

In case more than than 1 DAC is used (n DACs) adjust Rload and Rref :

$R_{load} = \text{aprox } 2k2 / n$  ( $2k2 \Rightarrow 1,6 \text{ VRMS}$ )

With P1 adjust Vout DC at 3,85 Volt

**DDDAC 1543 DAC**

Update: 21-10-2003

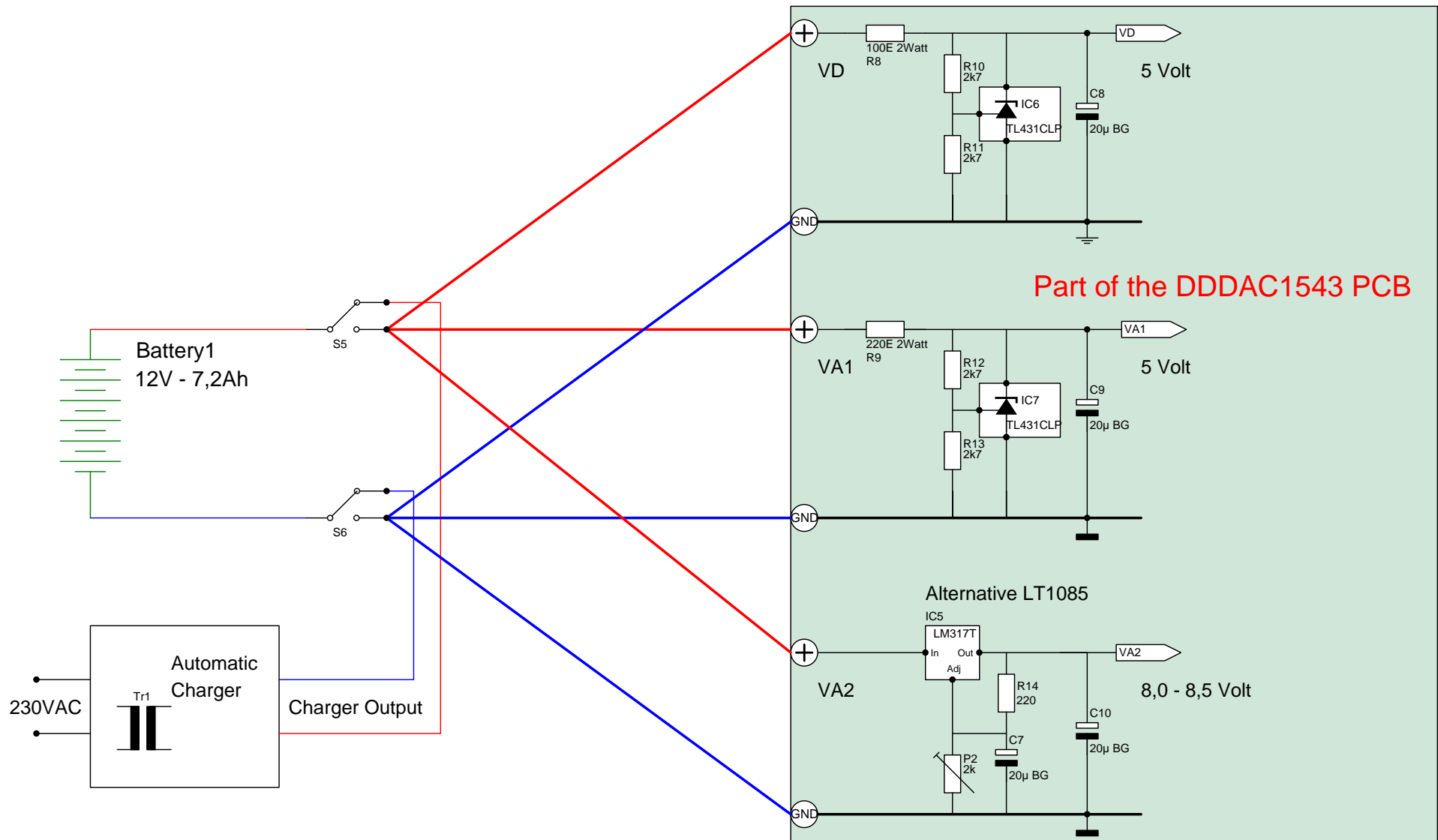
Author: Doede Douma

Revision: 2.1

Built:  
YES

Design ready:  
YES

Page: 1 # 3



Part of the DDDAC1543 PCB

**Notes:** The Power Supply is on the PCB and the 3 inputs for VD, VA1 and VA2 are separate to alternatively allow use of multiple Batteries or Power Supplies

## DDDAC 1543 Power Supply

Update: 21-10-2003		Author: Doede Douma	
Revision: 2.1	Built: YES	Design ready: YES	Page: 2 # 3

