

# DDDAC1543 mk2

USB – I2S Receiver

with

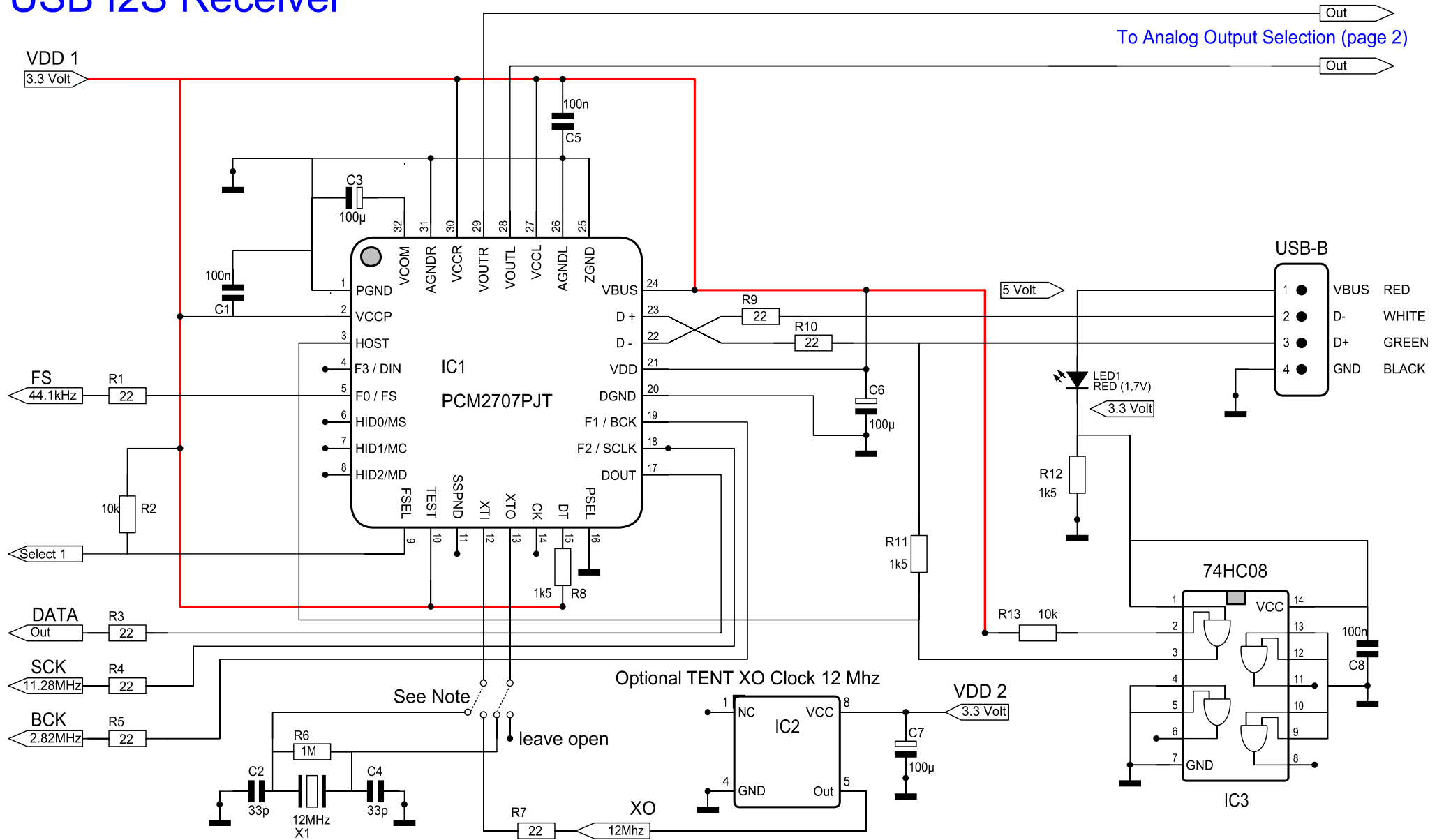
Selectable Output:

TDA1543 NOS DAC  
Internal PCM2707 DAC

By Doede Douma  
Updated February 25, 2007

<http://www.dddac.de/>

# USB I2S Receiver



## Notes:

- Bridge appropriate jumpers for X-tall or Tent clock
- LED 1 (must be RED !) indicates that an active USB connection is attached
- When select 1 is tied to GND, I2S/TDA1543 is selected
- When select 1 is left "open", Internal PCM2707 DAC analog output is selected

## USB I2S receiver & 1543 DAC

Update: 25-02-2007

Author: Doede Douma

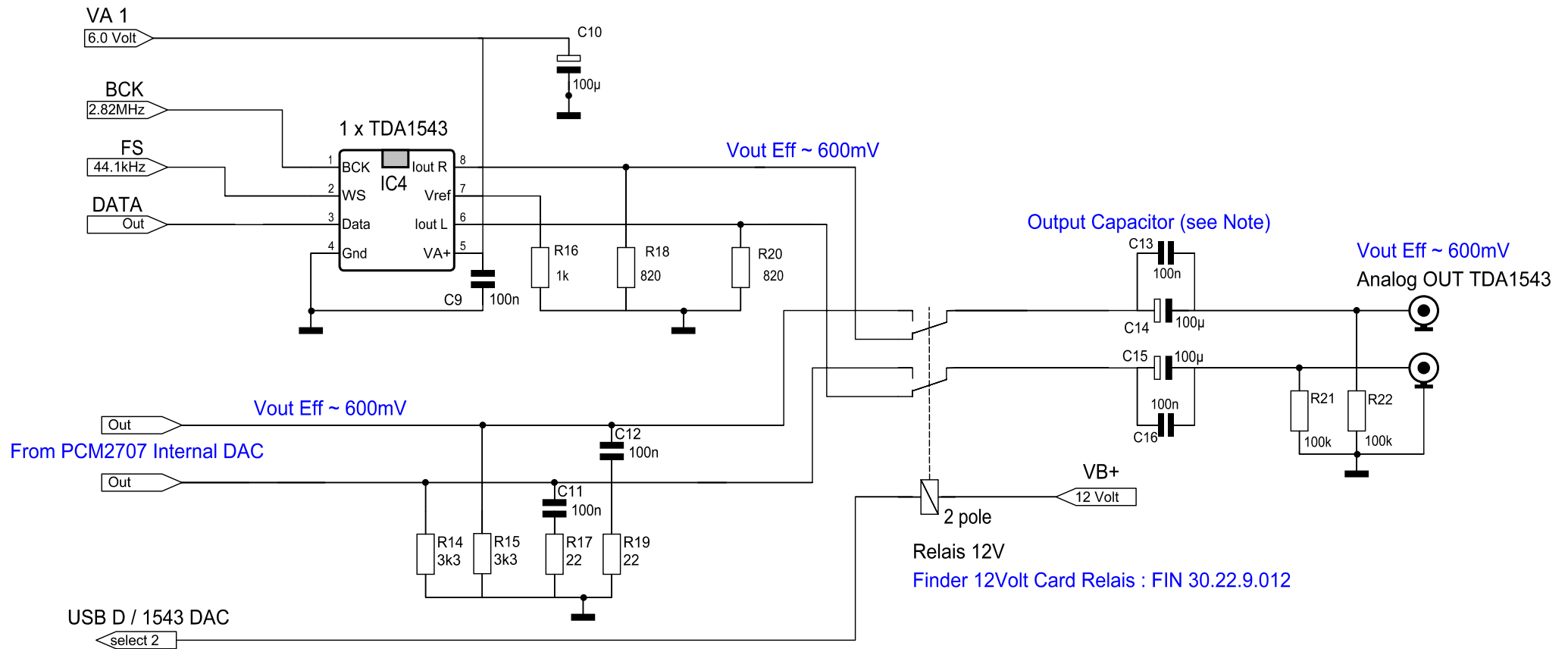
Revision: 3.2

Built:  
YES

Design ready:  
YES

Page: 1 # 4

# Analog Output Section and Output selection



## Notes:

Output Capacitor could be changed to one of own personal choice ! This is the best tweak possible  
 When select 2 is left "open", I2S/TDA1543 is selected  
 When select 2 is tied to GND, Internal PCM2707 DAC analog output is selected

## USB I2S receiver & 1543 DAC

Update: 25-02-2007

Author: Doede Douma

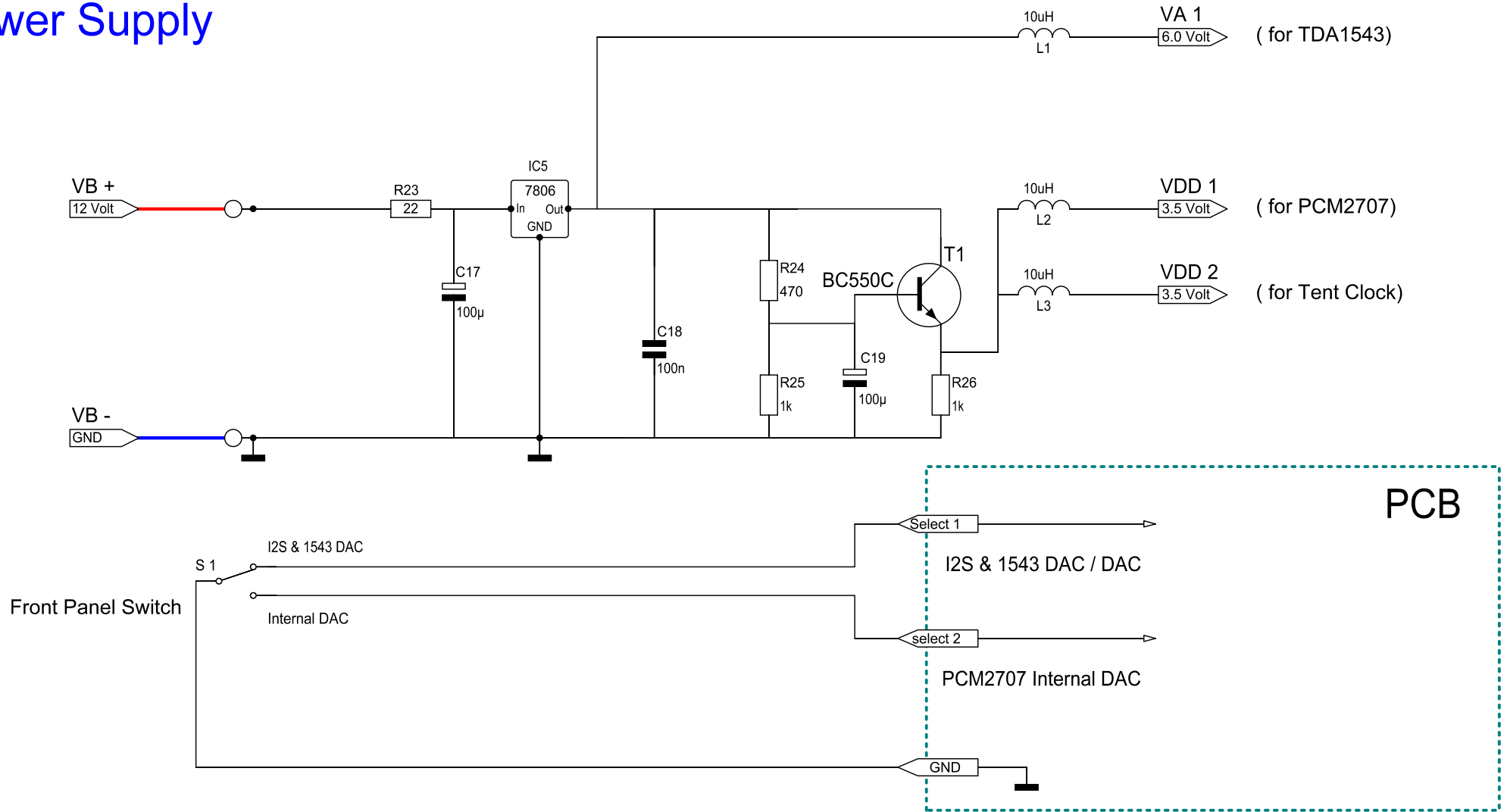
Revision: 3.2

Built:  
YES

Design ready:  
YES

Page: 2 # 4

# Power Supply



## USB I2S receiver & 1543 DAC

Update: 25-02-2007

Author: Doede Douma

Revision: 3.2

Built:  
YES

Design ready:  
YES

Page: 3 # 4

