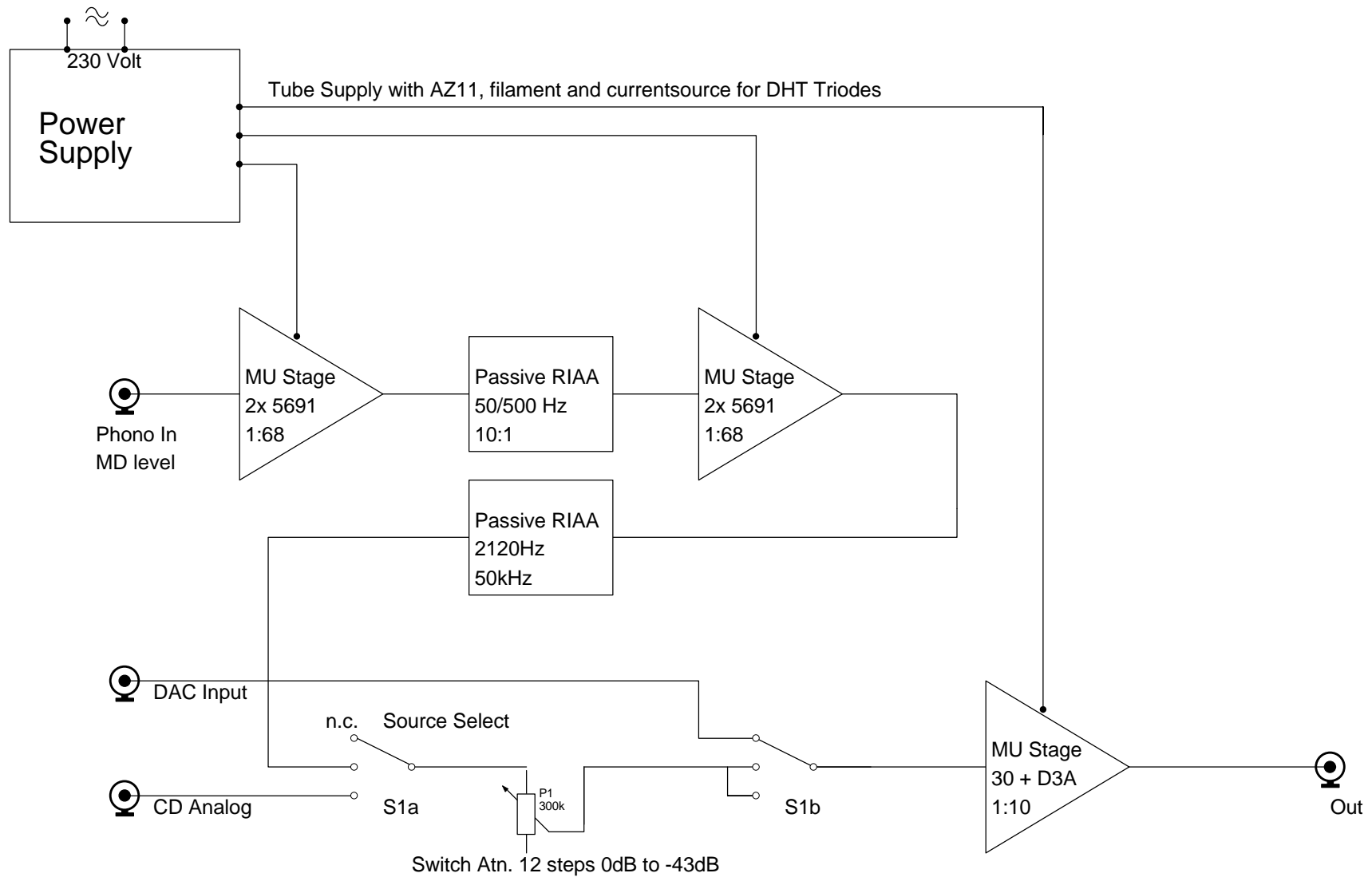



DDPRE 2001

MD Phono  
&  
Line Tube AMP

[www.dddac.de](http://www.dddac.de)

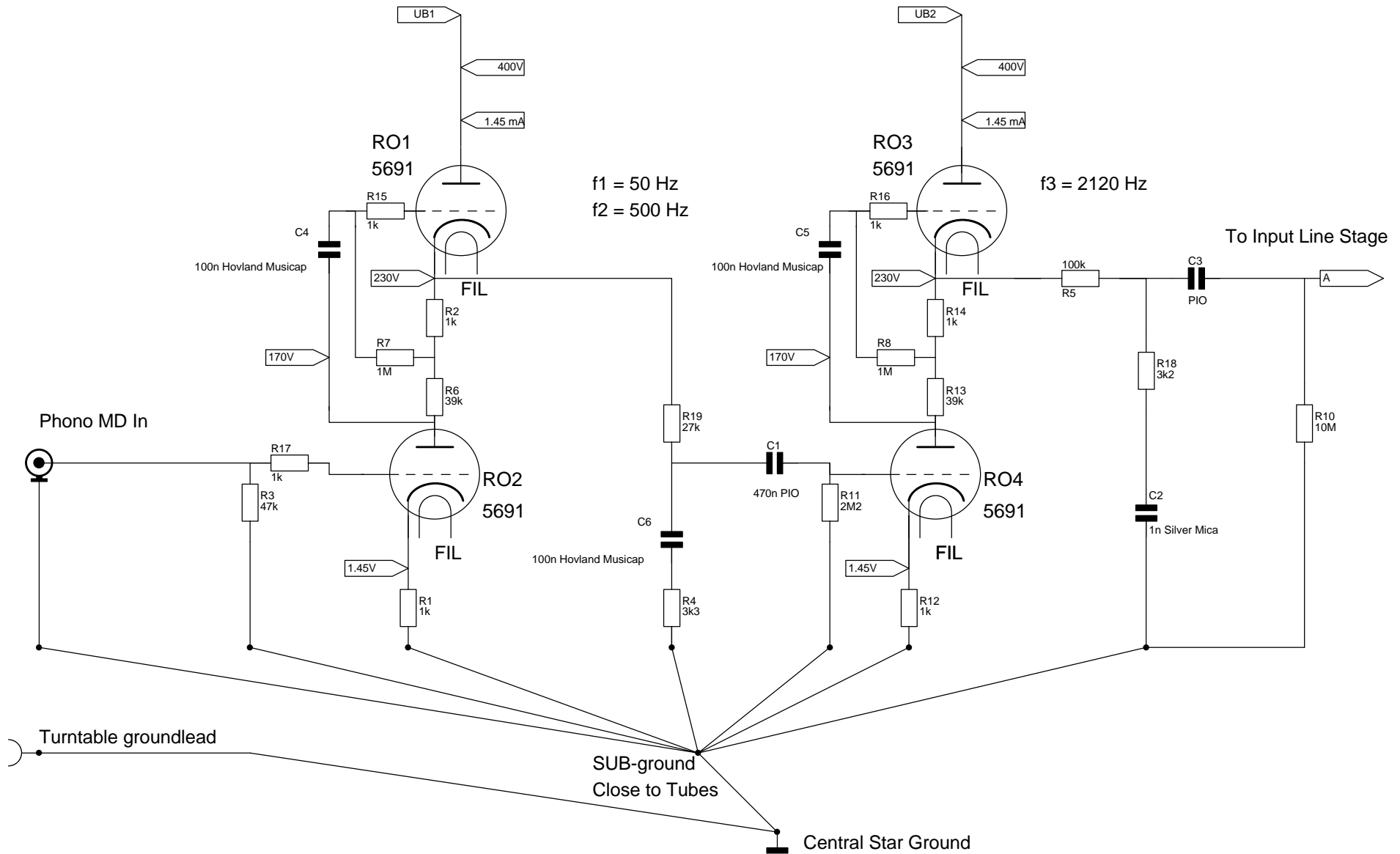
By Doede Douma  
Version 3.0      Update: November 22nd 2001



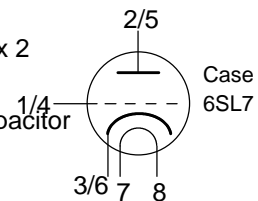
 Analog Ground Line AMP

Only one channel shown, Amp is double MONO

<b>PRE AMP, Block Diagram</b>	
Update: 22-11-2001	Author: Doede Douma
Revision: 3.0	Page: 1 # 6



Right Channel identical to Left Channel. All parts x 2  
 Total Gain 400x  
 Central Star Ground is at first minus from filter capacitor



## PRE AMP, Phono Stage

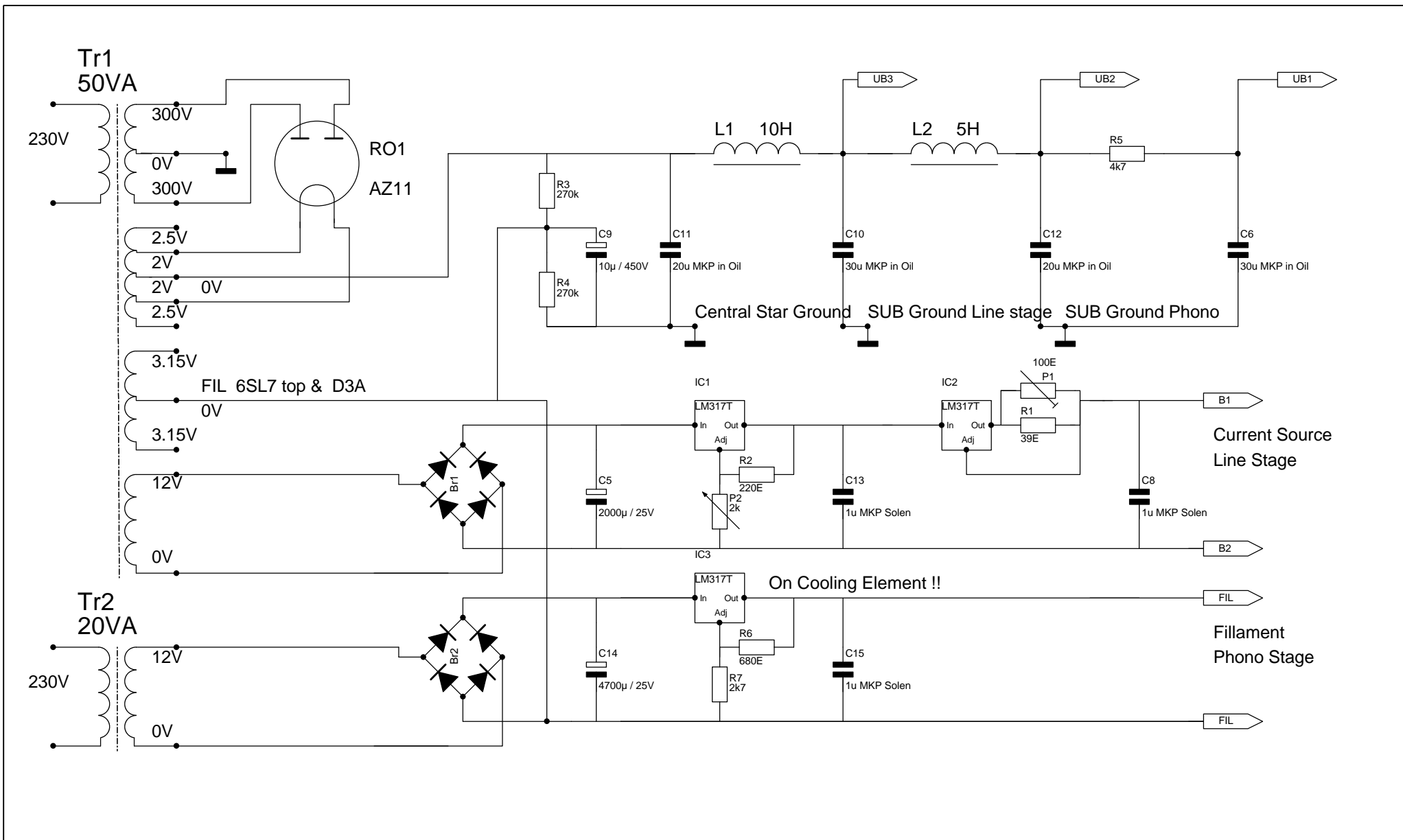
Update: 22-11-2001

Author: Doede Douma

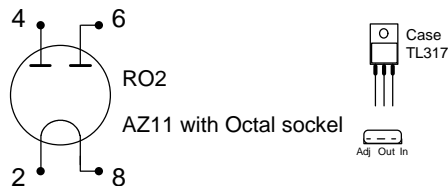
Revision: 3.0

Page: 2 # 6





Central Star Ground is at first minus from filter capacitor  
 Only ONE channel shown!



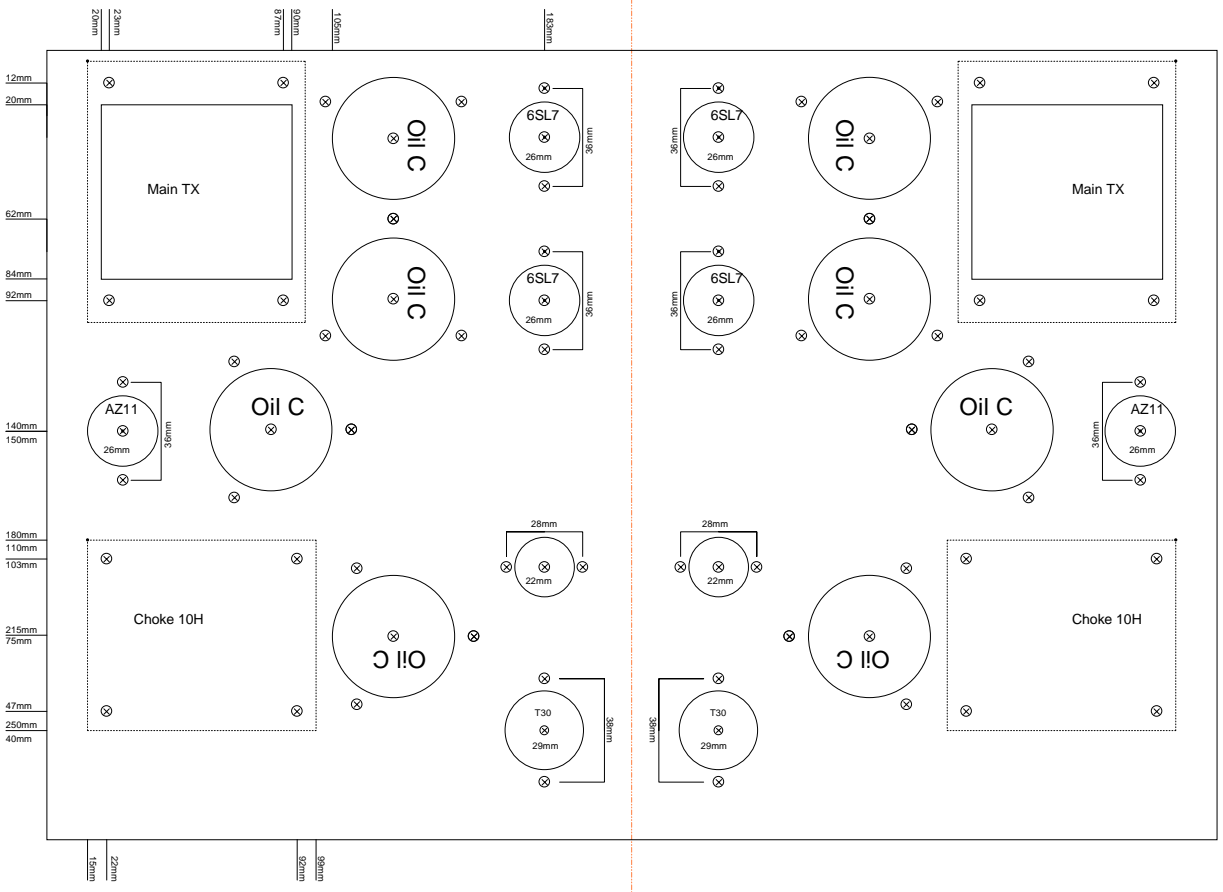
## PRE AMP, Power Supply

Update: 22-11-2001

Author: Doede Douma

Revision: 3.0

Page: 4 # 6



**PRE AMP, Case Lay Out**

Update: 26-08-2001	Author: Doede Douma
Revision: 1.1	Page: 6 # 6