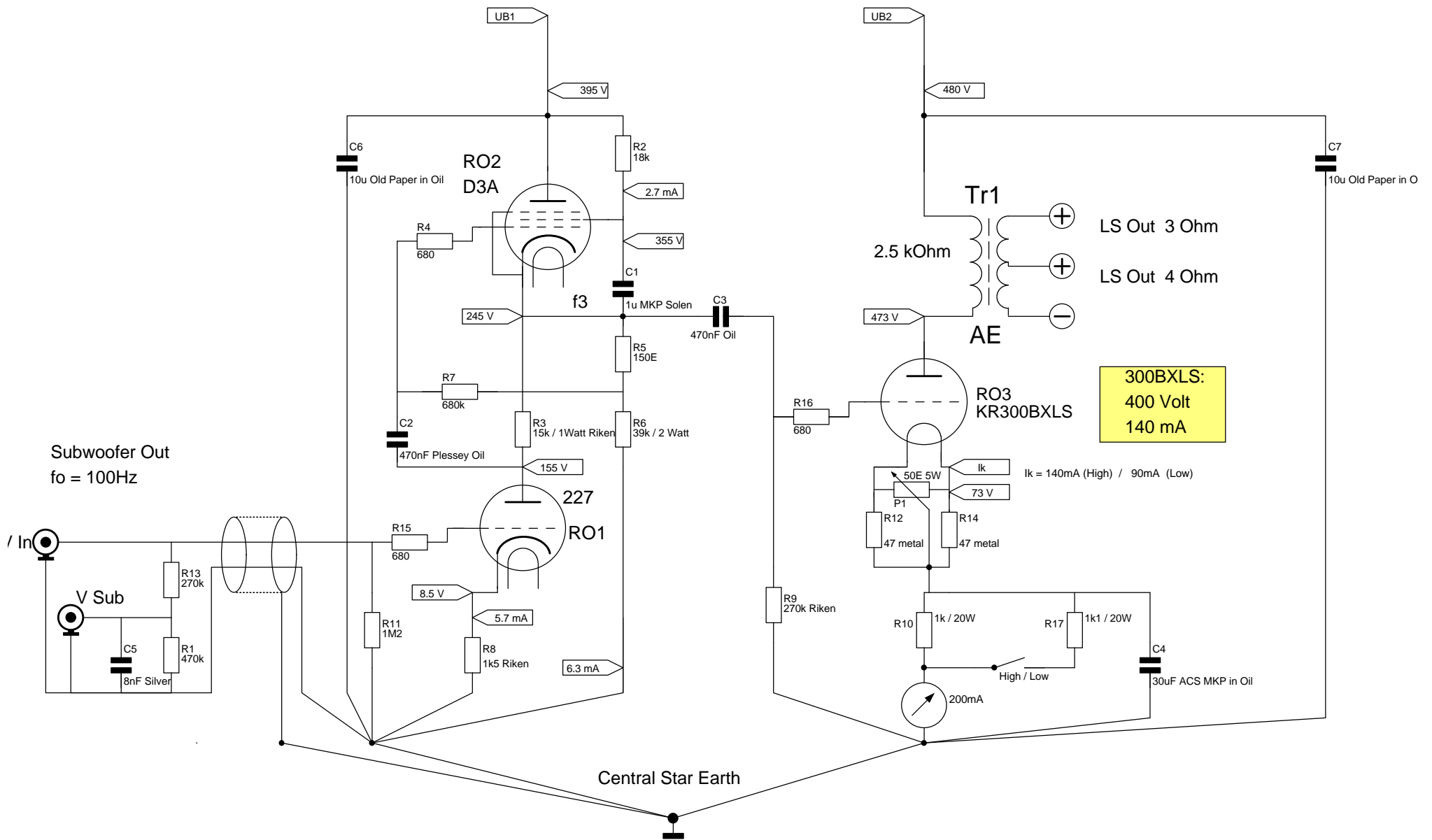


DD KR-300Bxls

Single Ended Main Tube AMP With KR 300Bxls

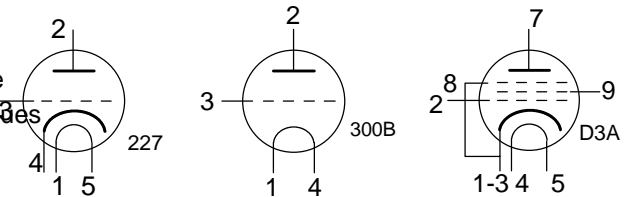
By Doede Douma
Version 1.2 Update: August 20th 2001



Subwoofer Out
fo = 100Hz

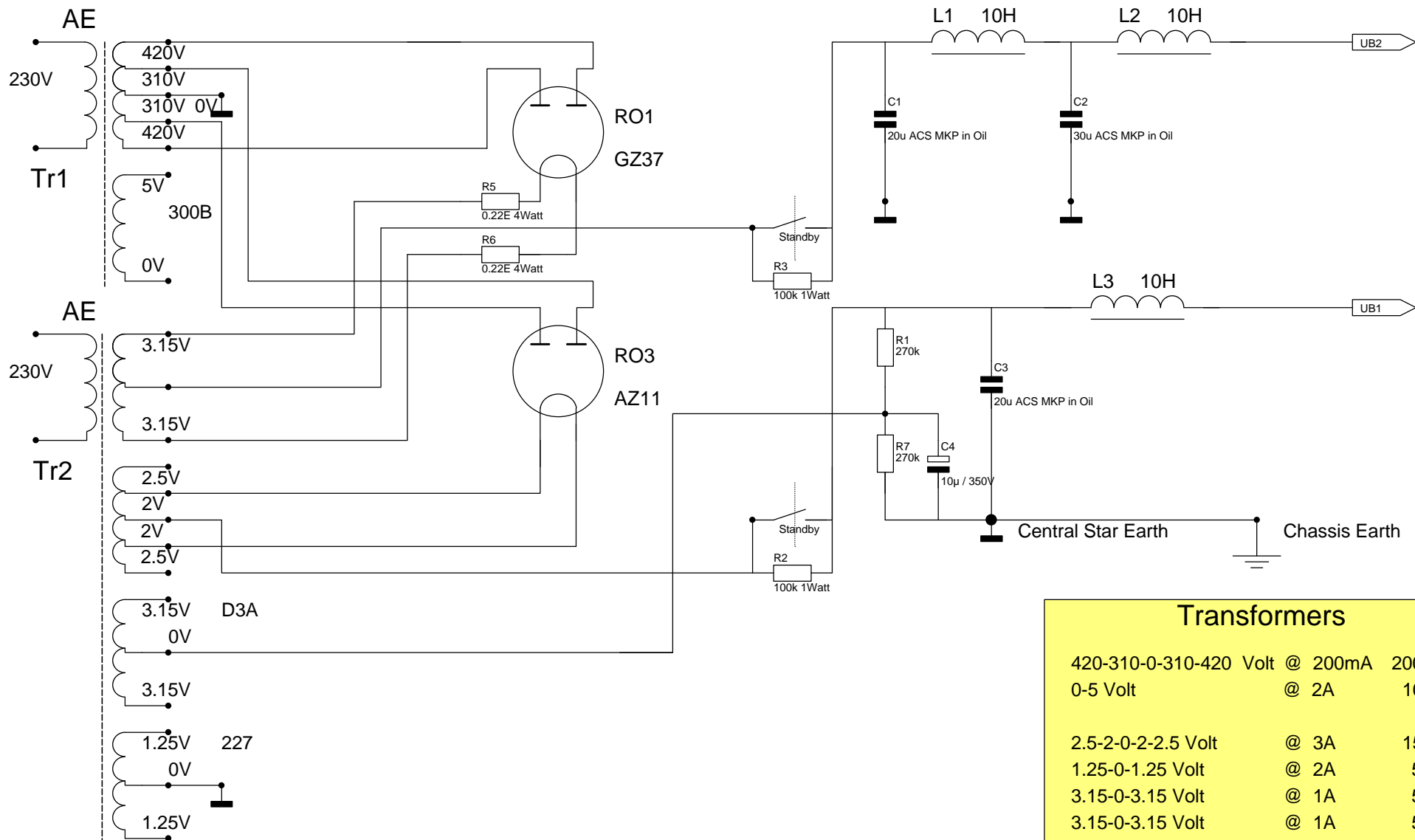
300BXLs:
400 Volt
140 mA

Right Channel identical to Left Channel. All parts x 2
All Resistors Carbon types unless mentioned otherwise
All Values (Voltage and Current) are real measured values



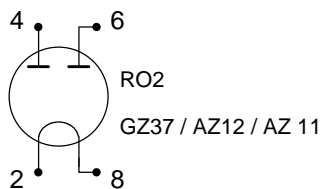
DD KR-300BXLs, Tube Amp

Update: 15-08-2001	Author: Doede Douma
Revision: 1.2	Page: 1 # 4



Transformers		
420-310-0-310-420 Volt	@ 200mA	200VA
0-5 Volt	@ 2A	10VA
2.5-2-0-2-2.5 Volt	@ 3A	15VA
1.25-0-1.25 Volt	@ 2A	5VA
3.15-0-3.15 Volt	@ 1A	5VA
3.15-0-3.15 Volt	@ 1A	5VA

Right Channel identical to Left Channel. All parts x 2
Pin Lay Out AZ types AFTER changing Tubesocket



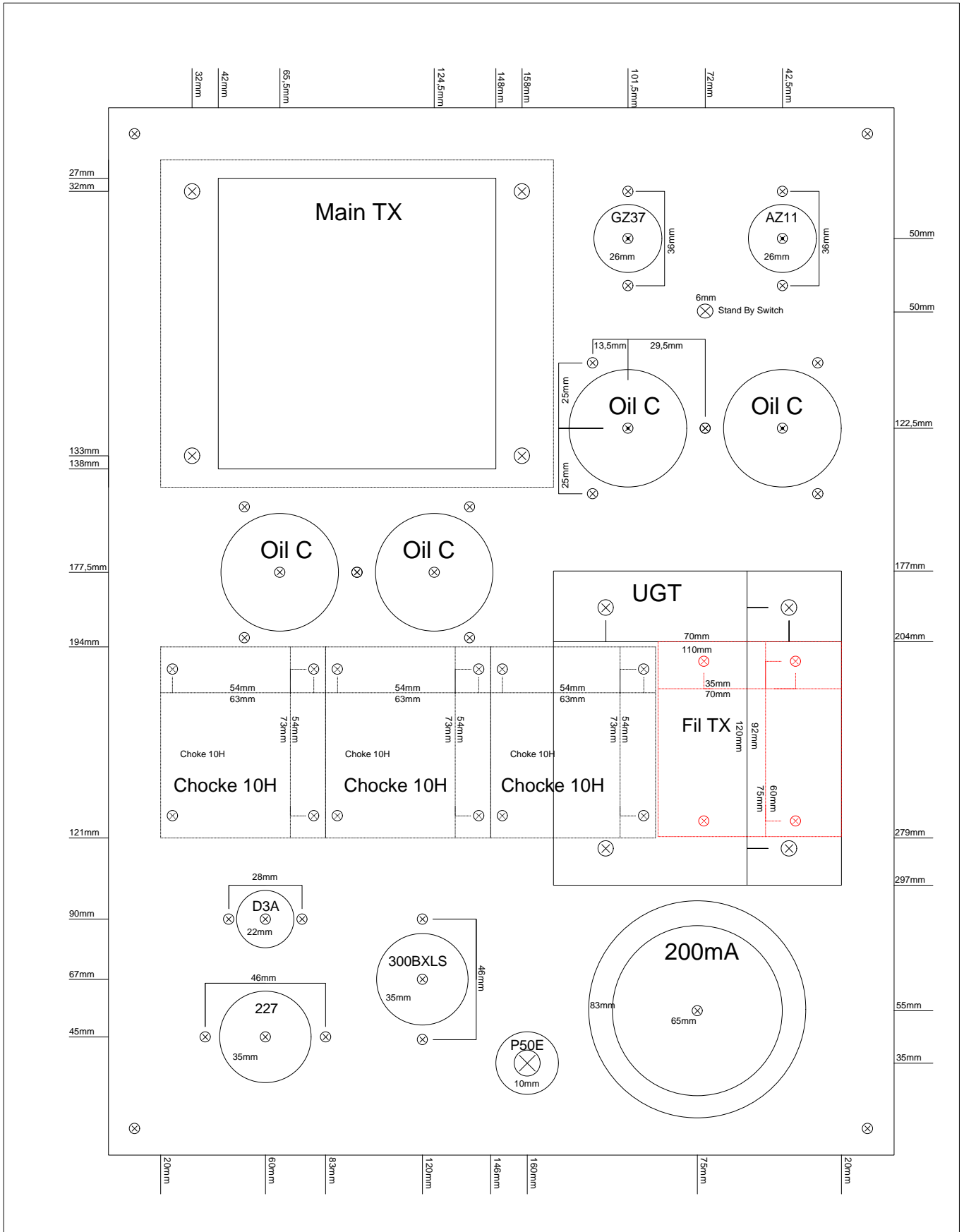
DD KR-300BXS, Power

Update: 15-08-2001

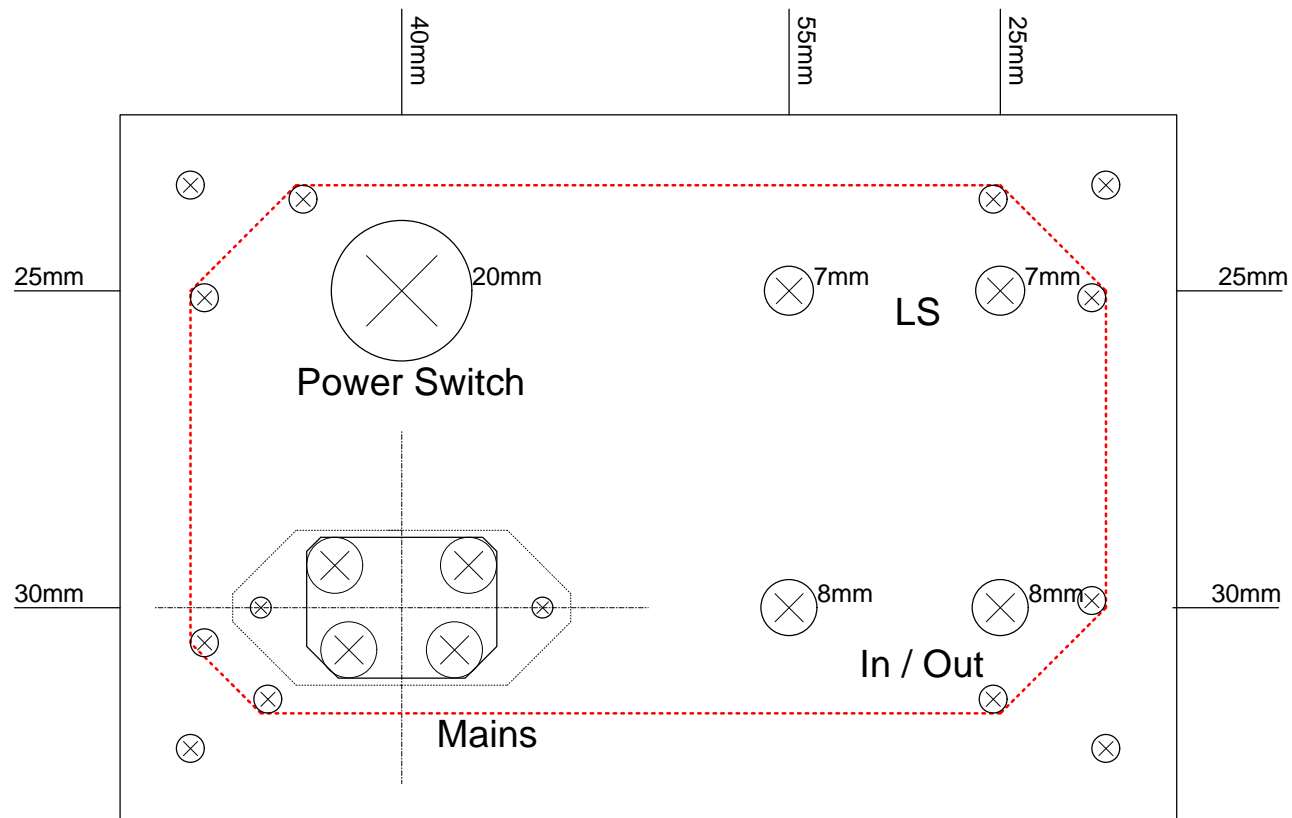
Author: Doede Douma

Revision: 1.2

Page: 2 # 4



DD KR-300BXLs, Case	
Update: 20-06-200	Author: Doede Douma
Revision: 1.1	Page: 3 # 4



DD KR-300BXLs, Back Plane

Update: 02-07-2001

Author: Doede Douma

Revision: 1.1

Page: 4 # 4