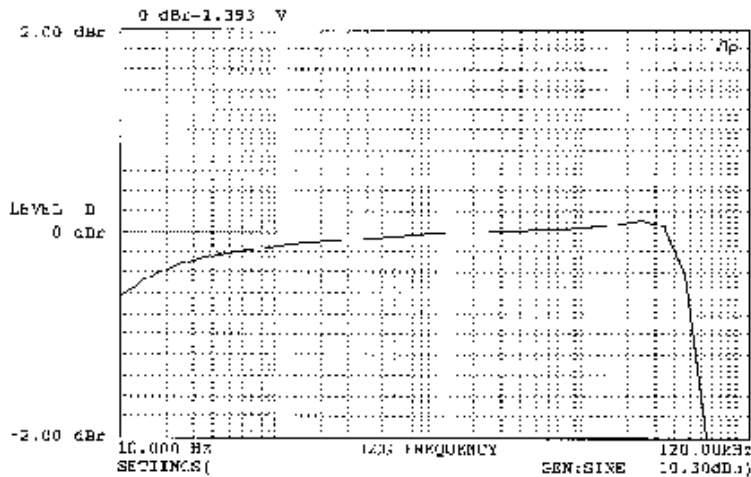


Sowter Type 8347

DAC Interface Transformer

PACKAGE OPTIONS	Part Number
Coloured Leads	8347-F
PCB Mounting	8347-C

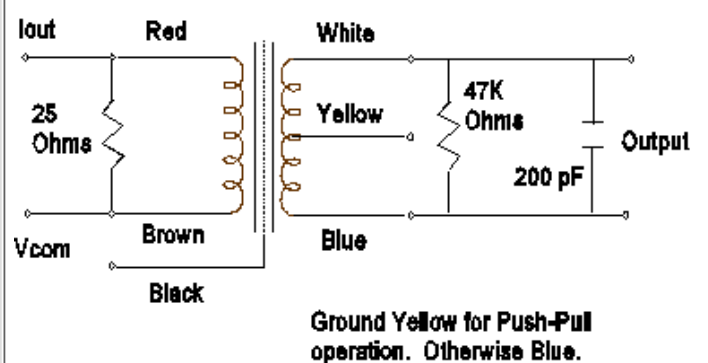
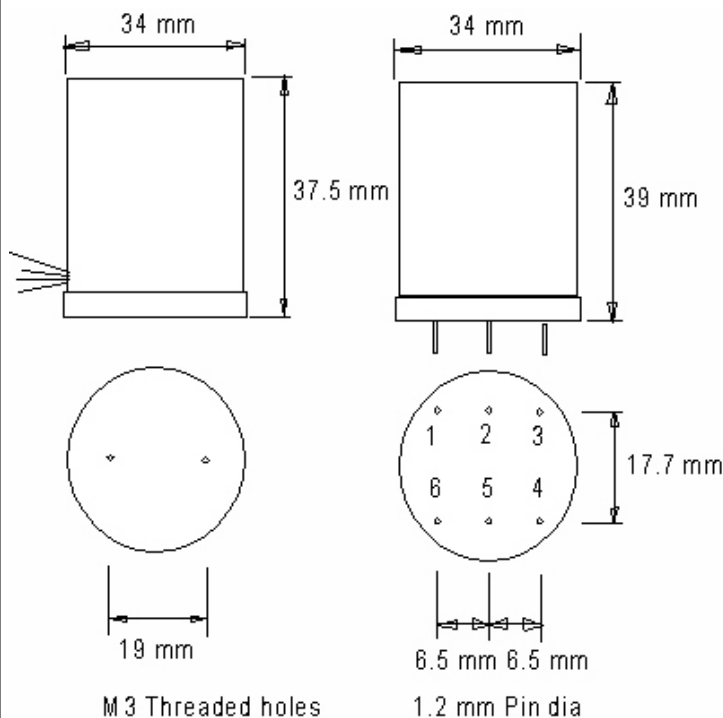


Typical frequency response in application circuit

APPLICATION Designed for use with Burr-Brown PCM67, PCM1702, PCM63 or similar Digital-to-Analogue Converter. Provides current to voltage conversion with approximately 25 dB gain. Presents a low impedance to the DAC output for best frequency response. Provides significant sound quality improvement when compared to other interface methods. Ensures full isolation of digital noise in ground and supply rails.

FEATURES Accurate phase splitting (balance) on output for driving differential (push-pull) amplifier. Mumetal core for minimal harmonic distortion. Internal electrostatic shield for rejection of digital noise. Mumetal can for magnetic shielding.

RATIO	1:18.7
QUIESCENT INPUT CURRENT (MAXIMUM)	-0.6 mA
PEAK SIGNAL CURRENT (using circuit below with 25 ohm resistor)	+/- 2.0 mA
OUTPUT BALANCE	>70 dB
FREQUENCY RESPONSE Using application circuit.	+/- 0.25 dB 10 Hz to 50 kHz
PHASE SHIFT	<15 degrees at 30 KHz



E A Sowter Ltd
PO Box36 IPSWICH IP1 2EL England

Tel: +44(0)1473 252794
Fax: +44(0)1473 236188